

CryptoMemory and Secure Memory: Standard Product Offerings

The family of CryptoMemory® devices in the following tables are available as standard products. Options are listed for each device including, Smart Card Modules, Standard Packages and Wafers. Ordering codes indicate specific options to be used with the device number (e.g., AT88SC1616C-MJ denotes the 16K CryptoMemory in a “J” module). Options marked with an “m” are available, and those marked with a “1” are most commonly sold and therefore may have reduced leadtimes. Actual ship quantity in module form will vary +/- 20% depending upon die per wafer.

The following pages give details of the package options for the various ordering codes.

0.0.1 CryptoMemory

Devices	Smart Card Modules (Commercial Temperature)		Standard Packages (Industrial Temperature)		7 mil Wafer (Industrial Temperature)
	-MJ	-MP	-SU	-PU	-WI
AT88SC0104C	1	m	1	m	m
AT88SC0204C	1	m	1	m	m
AT88SC0404C	1	m	1	m	m
AT88SC0808C	1	m	1	m	m
AT88SC1616C	1	m	1	m	m
AT88SC3216C	1		1	m	m
AT88SC6416C	1		1	m	m
AT88SC12816C	1		1	m	m
AT88SC25616C	1		1	m	m



CryptoMemory and Secure Memory

Standard Product Offering



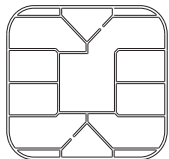
0.0.2 Secure Memory

Devices	Smart Card Modules (Commercial Temperature)		Standard Packages (Industrial Temperature)		7 mil Wafer (Industrial Temperature)
	-09ET-00	-09PT-00	-10SU-00	-10PU-00	-10WI-00
AT88SC102	1	m			m
AT88SC1003	1	m			m
AT88SC153	1	m	1	m	m
AT88SC1608	1	m	1	m	m

- Notes:
1. m = available
 2. 1 = most commonly sold and may have reduced leadtimes
 3. All devices operate at 2.7–5.5V except AT88SC1003, which operates at 4.5–5.5V.
 4. All modules and packages are RoHS compliant.

CryptoMemory Ordering Codes Smart Card Modules

Ordering Code: AT88SCxxxxC-MJ

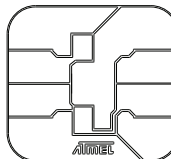


Module Size: M2
Dimension*: 12.6 x 11.4 [mm]
Glob Top: Round - 08.0 [mm]
Thickness: 0.58 [mm]
Pitch: 14.25 mm

Products:

AT88SC0104C
AT88SC0204C
AT88SC0404C
AT88SC0808C
AT88SC1616C
AT88SC3216C
AT88SC6416C
AT88SC12816C
AT88SC25616C

Ordering Code: AT88SCxxxxC-MP



Module Size: M2
Dimension*: 12.6 x 11.4 [mm]
Glob Top: Square – 8.8 x 8.8 [mm]
Thickness: 0.58 [mm]
Pitch: 14.25 mm

Products:

AT88SC0104C
AT88SC0204C
AT88SC0404C
AT88SC0808C
AT88SC1616C

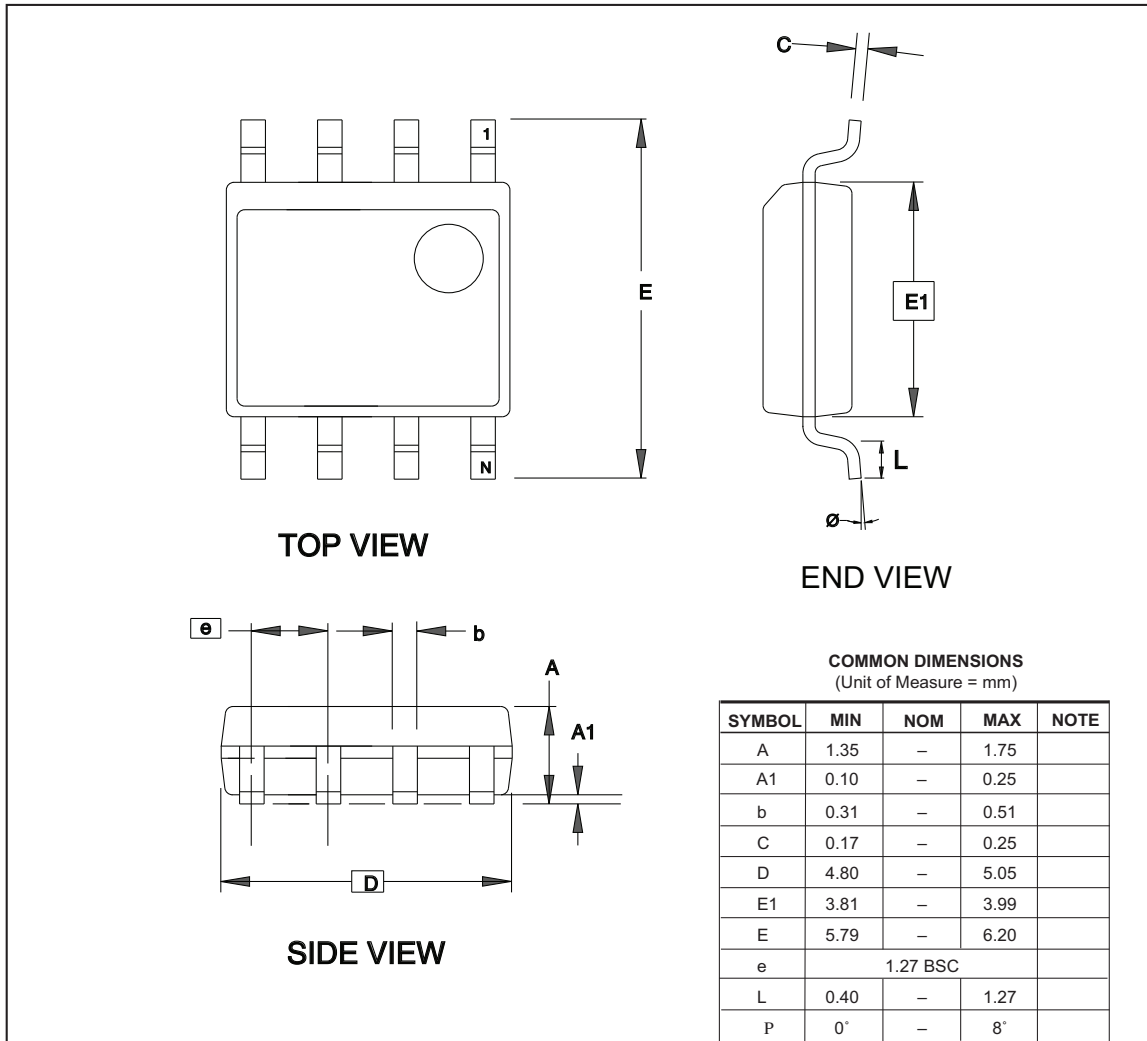
Note: *The module dimensions listed refer to the dimensions of the exposed metal contact area.
The actual dimensions of the module after excise or punching from the carrier tape are typically 0.4 mm greater in both directions (i.e., a punched M2 module will yield 13.0 x 11.8 mm)

CryptoMemory Ordering Codes Standard Packages

Ordering Code: AT88SCxxxxC-SU

8S1, 8-lead, 0.150" Wide, Plastic Gull Wing Small Outline (JEDEC SOIC)

Products: AT88SC0104C, AT88SC0204C, AT88SC0404C, AT88SC0808C,
AT88SC1616C, AT88SC3216C, AT88SC6416C, AT88SC12816C,
AT88SC25616C



Note: These drawings are for general information only. Refer to JEDEC Drawing MS-012, Variation AA for proper dimensions, tolerances, datums, etc.

3/17/05



1150 E. Cheyenne Mtn. Blvd.
Colorado Springs, CO 80906

TITLE
8S1, 8-lead (0.150" Wide Body), Plastic Gull Wing
Small Outline (JEDEC SOIC)

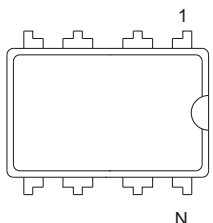
DRAWING NO.
8S1

REV.
C

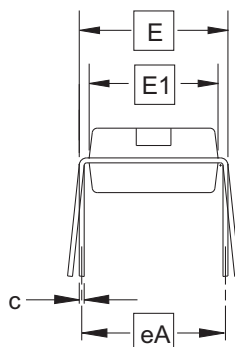
CryptoMemory Ordering Codes Standard Packages

Ordering Code: AT88SCxxxxC-PU

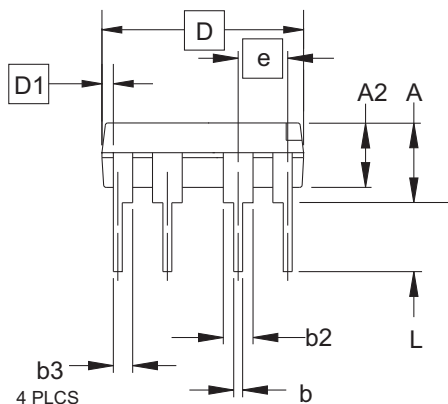
8P3, 8-lead, 0.300" Wide, Plastic Dual In-line Package (PDIP)
 Products: AT88SC0104C, AT88SC0204C, AT88SC0404C, AT88SC0808C,
 AT88SC1616C, AT88SC3216C, AT88SC6416C, AT88SC12816C,
 AT88SC25616C



Top View



End View



Side View

COMMON DIMENSIONS (Unit of Measure = inches)

SYMBOL	MIN	NOM	MAX	NOTE
A			0.210	2
A2	0.115	0.130	0.195	
b	0.014	0.018	0.022	5
b2	0.045	0.060	0.070	6
b3	0.030	0.039	0.045	6
c	0.008	0.010	0.014	
D	0.355	0.365	0.400	3
D1	0.005			3
E	0.300	0.310	0.325	4
E1	0.240	0.250	0.280	3
e	0.100 BSC			
eA	0.300 BSC			4
L	0.115	0.130	0.150	2

- Notes:
1. This drawing is for general information only; refer to JEDEC Drawing MS-001, Variation BA for additional information.
 2. Dimensions A and L are measured with the package seated in JEDEC seating plane Gauge GS-3.
 3. D, D1 and E1 dimensions do not include mold Flash or protrusions. Mold Flash or protrusions shall not exceed 0.010 inch.
 4. E and eA measured with the leads constrained to be perpendicular to datum.
 5. Pointed or rounded lead tips are preferred to ease insertion.
 6. b2 and b3 maximum dimensions do not include Dambar protrusions. Dambar protrusions shall not exceed 0.010 (0.25 mm).

01/09/02



2325 Orchard Parkway
 San Jose, CA 95131

TITLE

8P3, 8-lead, 0.300" Wide Body, Plastic Dual
 In-line Package (PDIP)

DRAWING NO.

8P3

REV.

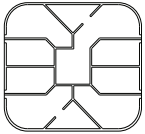
B

Note: Dimensions in inches and (millimeters).



Secure Memory Ordering Codes Smart Card Modules

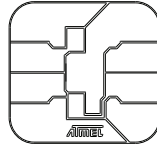
Ordering Code: AT88SCxxx-09ET-00



Module Size: M2
 Dimension*: 12.6 x 11.4 [mm]
 Glob Top: Round – ? 8.0 [mm]
 Thickness: 0.58 [mm]
 Pitch: 14.25 mm

Products:
 AT88SC102
 AT88SC1003
 AT88SC153
 AT88SC1608

Ordering Code: AT88SCxxx-09PT-00



Module Size: M2
 Dimension*: 12.6 x 11.4 [mm]
 Glob Top: Square – 8.8 x 8.8 [mm]
 Thickness: 0.58 [mm]
 Pitch: 14.25 mm

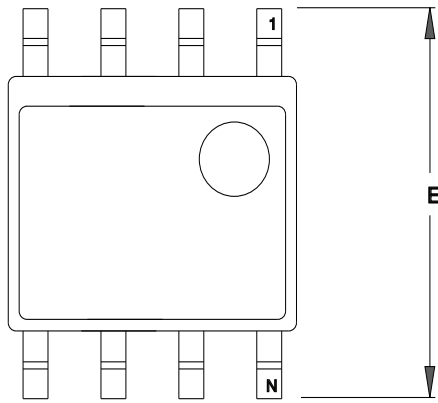
Products:
 AT88SC102
 AT88SC1003
 AT88SC153
 AT88SC1608

Note: *The module dimensions listed refer to the dimensions of the exposed metal contact area.
 The actual dimensions of the module after excise or punching from the carrier tape are typically 0.4 mm greater in both directions
 (i.e., a punched M2 module will yield 13.0 x 11.8 mm)

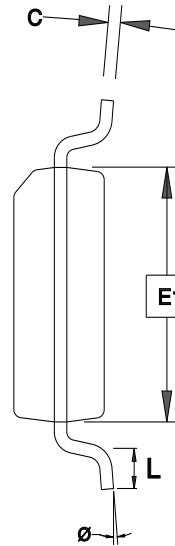
Secure Memory Ordering Codes Standard Packages

Ordering Code: AT88SCxxx-10SU-00

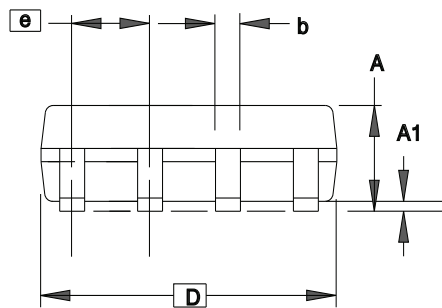
8S1, 8-lead, 0.150" Wide, Plastic Gull Wing Small Outline (JEDEC SOIC)
Products: AT88SC153, AT88SC1608



TOP VIEW



END VIEW



SIDE VIEW

COMMON DIMENSIONS
(Unit of Measure = mm)

SYMBOL	MIN	NOM	MAX	NOTE
A	1.35	–	1.75	
A1	0.10	–	0.25	
b	0.31	–	0.51	
C	0.17	–	0.25	
D	4.80	–	5.05	
E1	3.81	–	3.99	
E	5.79	–	6.20	
e	1.27 BSC			
L	0.40	–	1.27	
P	0°	–	8°	

Note: These drawings are for general information only. Refer to JEDEC Drawing MS-012, Variation AA for proper dimensions, tolerances, datums, etc.

3/17/05



1150 E. Cheyenne Mtn. Blvd.
Colorado Springs, CO 80906

TITLE
8S1, 8-lead (0.150" Wide Body), Plastic Gull Wing
Small Outline (JEDEC SOIC)

DRAWING NO.

8S1

REV.

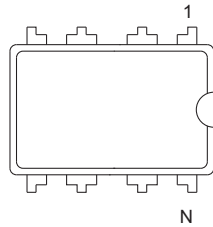
C

Secure Memory Ordering Codes Standard Packages

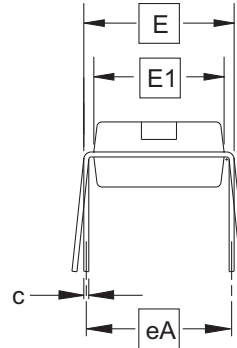
Ordering Code: AT88SCxxx-10PU-00

8P3, 8-lead, 0.300" Wide, Plastic Dual Inline Package (PDIP)

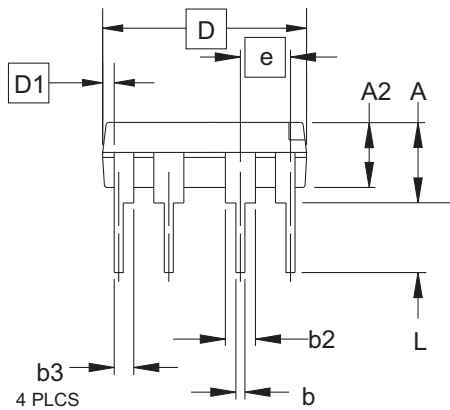
Products: AT88SC153, AT88SC1608



Top View



End View



Side View

COMMON DIMENSIONS

(Unit of Measure = inches)

SYMBOL	MIN	NOM	MAX	NOTE
A			0.210	2
A2	0.115	0.130	0.195	
b	0.014	0.018	0.022	5
b2	0.045	0.060	0.070	6
b3	0.030	0.039	0.045	6
c	0.008	0.010	0.014	
D	0.355	0.365	0.400	3
D1	0.005			3
E	0.300	0.310	0.325	4
E1	0.240	0.250	0.280	3
e	0.100 BSC			
eA	0.300 BSC			4
L	0.115	0.130	0.150	2

- Notes:
1. This drawing is for general information only; refer to JEDEC Drawing MS-001, Variation BA for additional information.
 2. Dimensions A and L are measured with the package seated in JEDEC seating plane Gauge GS-3.
 3. D, D1 and E1 dimensions do not include mold Flash or protrusions. Mold Flash or protrusions shall not exceed 0.010 inch.
 4. E and eA measured with the leads constrained to be perpendicular to datum.
 5. Pointed or rounded lead tips are preferred to ease insertion.
 6. b2 and b3 maximum dimensions do not include Dambar protrusions. Dambar protrusions shall not exceed 0.010 (0.25 mm).

01/09/02



2325 Orchard Parkway
San Jose, CA 95131

TITLE

8P3, 8-lead, 0.300" Wide Body, Plastic Dual
In-line Package (PDIP)

DRAWING NO.

8P3

REV.

B

Note: Dimensions in inches and (millimeters).

1. Revision History

Date	Doc. Rev.	Comments
6/2008	5044F	Updated to new template
7/2006	5044E	Revision history implemented. Added new Smart Card module and plastic package offerings, including RoHS packages.



Headquarters

Atmel Corporation
2325 Orchard Parkway
San Jose, CA 95131
USA
Tel: 1(408) 441-0311
Fax: 1(408) 487-2600

International

Atmel Asia
Room 1219
Chinachem Golden Plaza
77 Mody Road Tsimshatsui
East Kowloon
Hong Kong
Tel: (852) 2721-9778
Fax: (852) 2722-1369

Atmel Europe
Le Krebs
8, Rue Jean-Pierre Timbaud
BP 309
78054 Saint-Quentin-en-
Yvelines Cedex
France
Tel: (33) 1-30-60-70-00
Fax: (33) 1-30-60-71-11

Atmel Japan
9F, Tonetsu Shinkawa Bldg.
1-24-8 Shinkawa
Chuo-ku, Tokyo 104-0033
Japan
Tel: (81) 3-3523-3551
Fax: (81) 3-3523-7581

Product Contact

Web Site
www.atmel.com

Technical Support
cryptomemory@atmel.com

Sales Contact
www.atmel.com/contacts

Literature Requests
www.atmel.com/literature

Disclaimer: The information in this document is provided in connection with Atmel products. No license, express or implied, by estoppel or otherwise, to any intellectual property right is granted by this document or in connection with the sale of Atmel products. **EXCEPT AS SET FORTH IN ATMEL'S TERMS AND CONDITIONS OF SALE LOCATED ON ATMEL'S WEB SITE, ATMEL ASSUMES NO LIABILITY WHATSOEVER AND DISCLAIMS ANY EXPRESS, IMPLIED OR STATUTORY WARRANTY RELATING TO ITS PRODUCTS INCLUDING, BUT NOT LIMITED TO, THE IMPLIED WARRANTY OF MERCHANTABILITY, FITNESS FOR A PARTICULAR PURPOSE, OR NON-INFRINGEMENT. IN NO EVENT SHALL ATMEL BE LIABLE FOR ANY DIRECT, INDIRECT, CONSEQUENTIAL, PUNITIVE, SPECIAL OR INCIDENTAL DAMAGES (INCLUDING, WITHOUT LIMITATION, DAMAGES FOR LOSS OF PROFITS, BUSINESS INTERRUPTION, OR LOSS OF INFORMATION) ARISING OUT OF THE USE OR INABILITY TO USE THIS DOCUMENT, EVEN IF ATMEL HAS BEEN ADVISED OF THE POSSIBILITY OF SUCH DAMAGES.** Atmel makes no representations or warranties with respect to the accuracy or completeness of the contents of this document and reserves the right to make changes to specifications and product descriptions at any time without notice. Atmel does not make any commitment to update the information contained herein. Unless specifically provided otherwise, Atmel products are not suitable for, and shall not be used in, automotive applications. Atmel's products are not intended, authorized, or warranted for use as components in applications intended to support or sustain life.

© 2008 Atmel Corporation. All rights reserved. Atmel®, logo and combinations thereof, CryptoMemory® and others, are registered trademarks or trademarks of Atmel Corporation or its subsidiaries. Other terms and product names may be trademarks of others.