

CLXSA001KK1

Smart Card

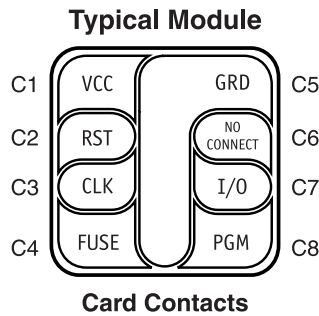
DESCRIPTION

The CLXSA001KK1 Smart Card is a low cost synchronous smart card designed for prepaid applications and secure small record storage. The memory is protected, after personalization, by blowing a fuse. This is an irreversible process, which secures security critical memory areas of the device.

The CLXSA001KK1 provides 1024 bits of serial EEPROM within one Application Zone, plus 64 bits in a Code Protected Zone. Additional EEPROM memory and security logic provide security for smart card applications.

The CLXSA001KK1 is supported by CardLogix application software, including the Movie Gold API, the Trakplex API, and the Winplex™ API for multiple reader environments. Each of these APIs also provides added security options for sensitive data.

The CLXSA001KK1 is available in the ISO 7810 standard, CR80, SIM/SAM and Keychain form factor.



FEATURES

- Voltage operating range: 2.7V to 5.5V
- Single Application Zone 1K x 1
- Industry standard 7816-3 synchronous protocol
- 8 password retries before lockout
- 2 ms typical write cycle time, 2 μs read cycle time
- Filtered inputs for noise suppression
- Power on/off data protection circuitry
- Endurance: 100,000 E/W cycles guaranteed
- Electrostatic discharge protection > 4,000V
- Data retention > 25 years

Block Diagram

