

CLXSA001KK2

Smart Card

DESCRIPTION

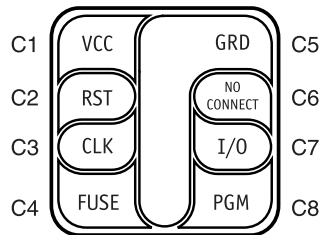
The CLXSA001KK2 Smart Card is a low cost synchronous smart card designed for prepaid applications and secure small record storage. The memory is protected, after personalization, by blowing a fuse. This is an irreversible process, which secures security critical memory areas of the device.

The CLXSA001KK2 provides 1024 bits of serial EEPROM within two Application Zones of 512 bits each, plus 64 bits in a Code Protected Zone. Additional EEPROM memory and security logic provide security for smart card applications.

The CLXSA001KK2 is supported by CardLogix application software, including the Movie Gold API, the Trakplex API, and the Winplex™ API for multiple reader environments. Each of these APIs also provides added security options for sensitive data.

The CLXSA001KK2 is available in the ISO 7810 standard, CR80, SIM/SAM and Keychain form factor.

Typical Module

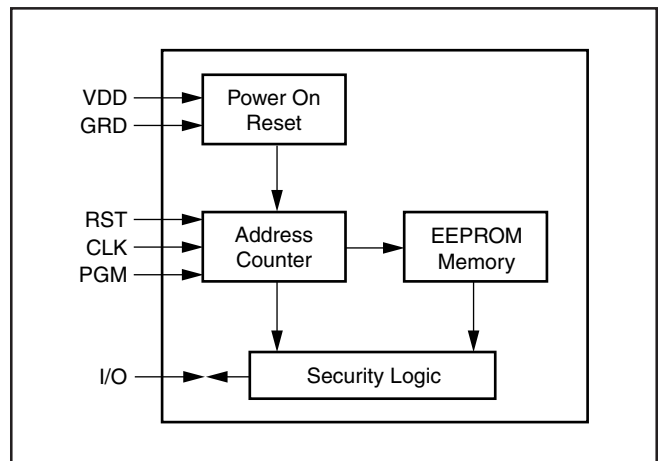


Card Contacts

FEATURES

- Voltage operating range: 2.7V to 5.5V
- Dual Application Zones of 512 bits each
- Industry standard 7816-3 synchronous protocol
- 8 password retries before lockout
- 2 ms typical write cycle time, 2 μs read cycle time
- Filtered inputs for noise suppression
- Power on/off data protection circuitry
- Endurance: 100,000 E/W cycles guaranteed
- Electrostatic discharge protection > 4,000V
- Data retention > 25 years

Block Diagram



16 Hughes, Suite 100 • Irvine, California 92618 • Ph:(949) 380-1312 • Fax:(949) 380-1428

Preliminary Information: © 2003 CardLogix, Inc. All information is preliminary, and CardLogix retains the right to change and/or withdraw any portion without notice. This document and its contents are covered under U.S copyright and register laws, all rights reserved. DCTB-CLXSA001KK2-03a 05/27/2003